

# 磁性軸封 Magnetic Seals



TEL 8 inch  
GSF020BY M13



TEL 12 inch  
GSF020BY M12



TEL 12 inch  
GSF035SX M10



KE 8 inch  
GHF050SX M10



KE 8 inch  
GHF024SX M11



KE 12 inch  
GSF017BY M10



NOVELLUS 8 inch / Sequel Spindle  
GHF028RNX M10



NOVELLUS 8 inch / Altus Spindle  
GHF028RNX M11



VARIAN / Rotate Mass Slit  
GHF020SX M13



VARIAN / Vacuum Feedthru  
GSN006SX M01



ANELVA / C-3961LT  
GSF020BY M15



AKT / CF ITO  
GSF030BY M10



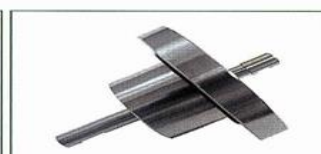
JUSUNG / EUREKA3000  
GSF045SY M20



ULVAC / SDP SERIES  
GHF020SX M01



AMAT / for Throttle valve  
GSF007SX M10



Hitachi KE / SEM  
GSF007SX M15

# Engineering Capabilities & Expertises



From Simple Axial to Multi-axial



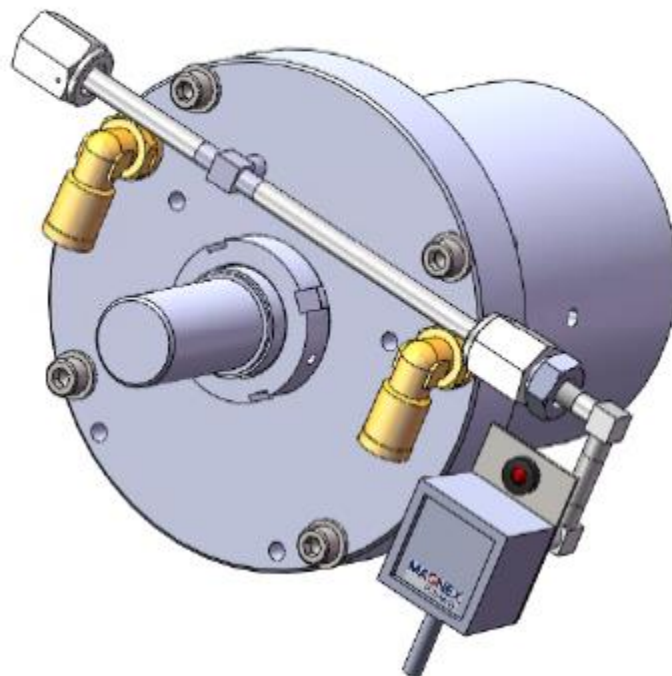
From Smallest to Biggest



# Engineering Capabilities & Expertises



**New Paradigm Ferrofluid Seal**  
for sensing pressure drop before seal failure  
It is a safeguard for extremely risky gases  
It is also helpful to take precautions



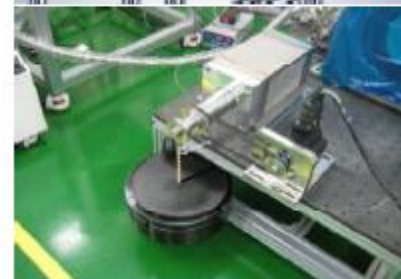
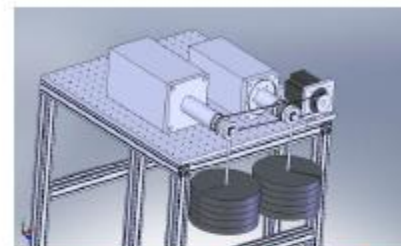
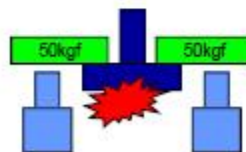
**Special Types of Ferrofluid Seals**  
with inlet/outlet ports  
with motor & encoder for space saving



# Engineering Capabilities & Expertises



## Reliability, Durability and Shock Test



# Engineering Capabilities & Expertises



## 1 Million Cycles Data of Reliability, Durability and Shock Test

### HE Leak Test after 1,000,000 Cycles

