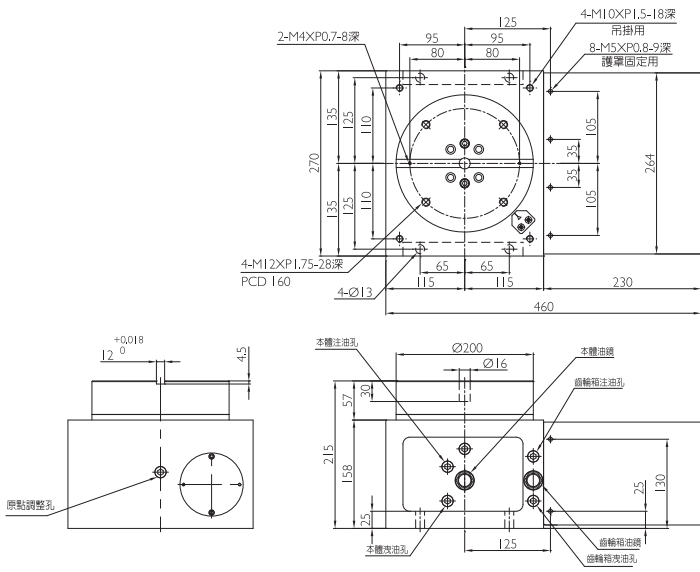


尺寸圖 DIMENSIONAL DRAWINGS

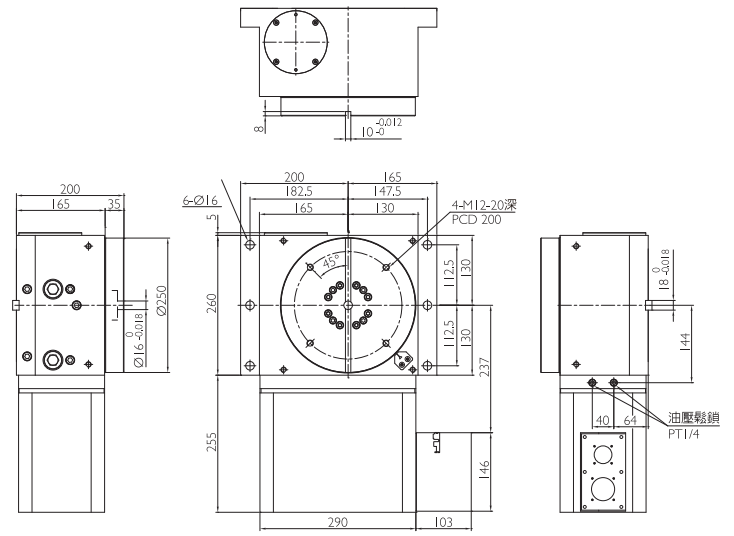
# HG-200

Unit: mm



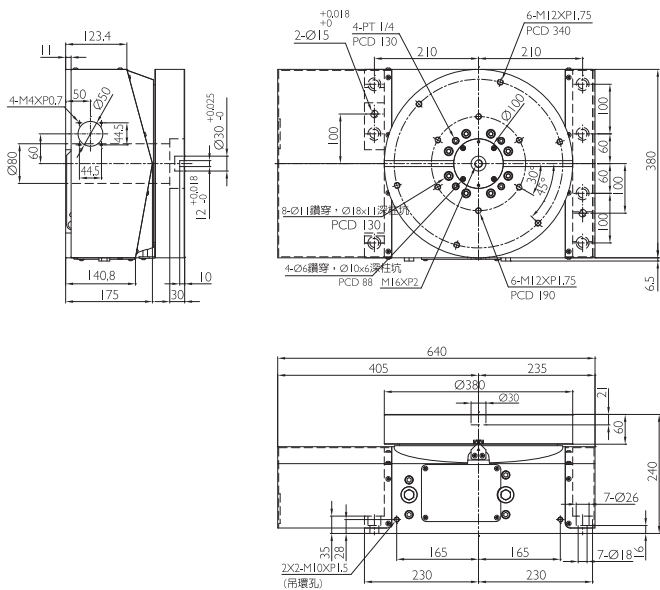
# HG-250

Unit: mm



# HG-380

Unit: mm



# HG-470

Unit: mm

