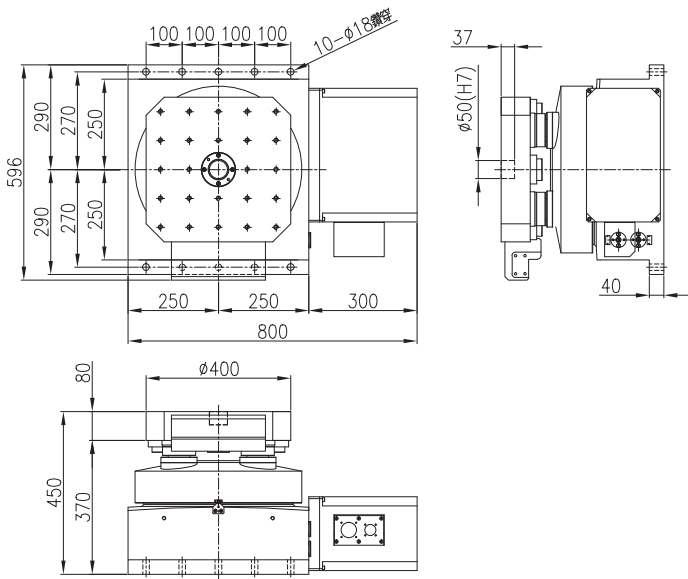


尺寸圖 DIMENSIONAL DRAWINGS

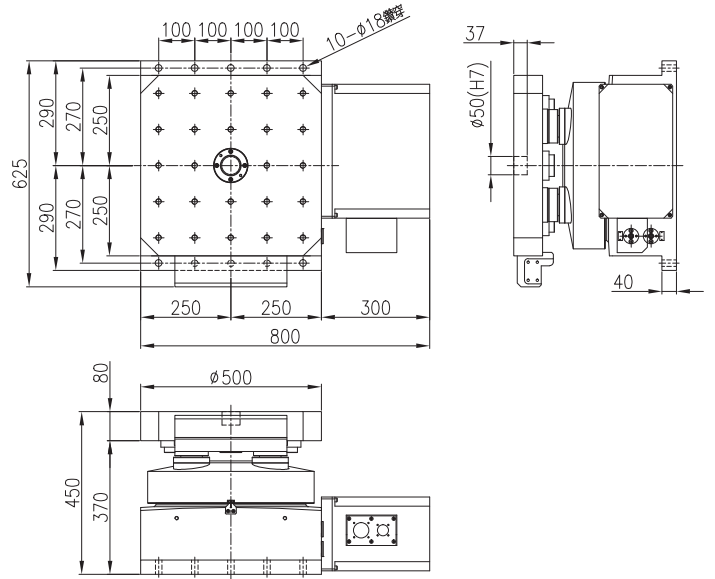
AHC-400

Unit: mm



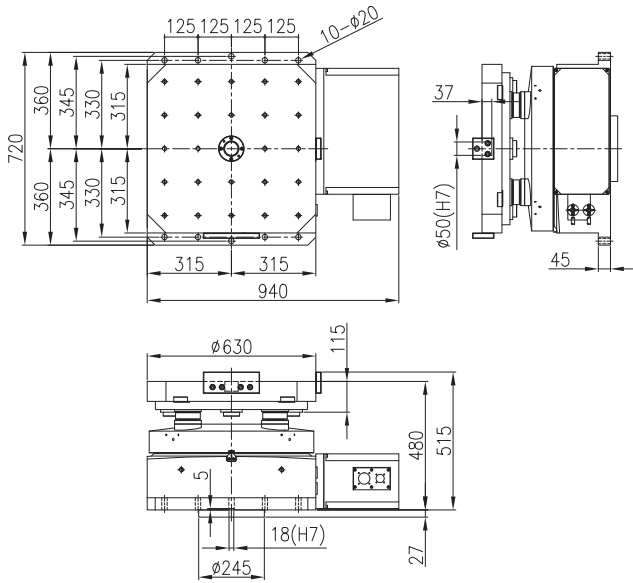
AHC-500

Unit: mm



AHC-630

Unit: mm



AHC-800

Unit: mm

