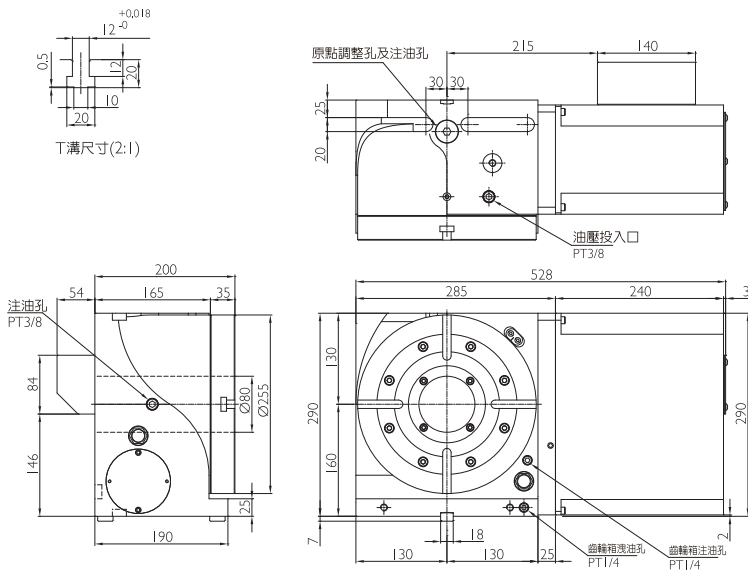


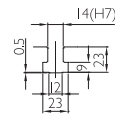
# DNC-255

Unit: mm

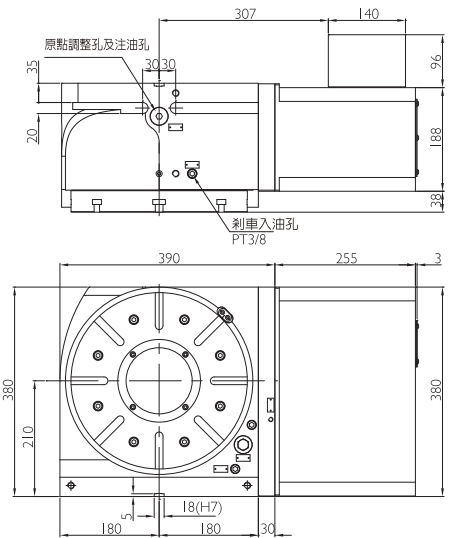


# DNC-320

Unit: mm

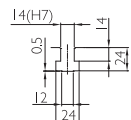


T溝尺寸(2:1)



# DNC-400

Unit: mm



T溝尺寸(2:1)

