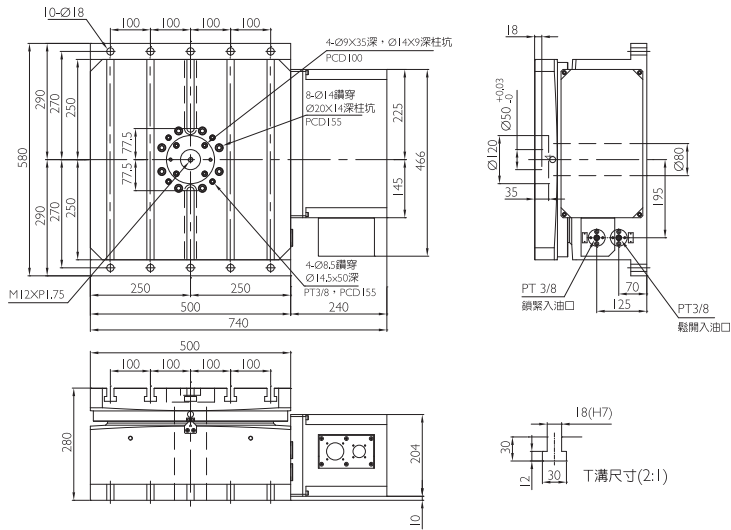


尺寸圖 DIMENSIONAL DRAWINGS

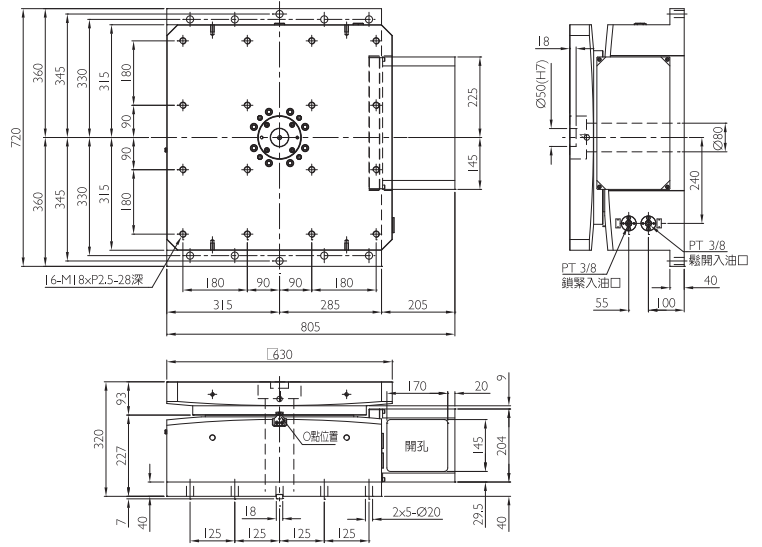
HG-500

Unit: mm



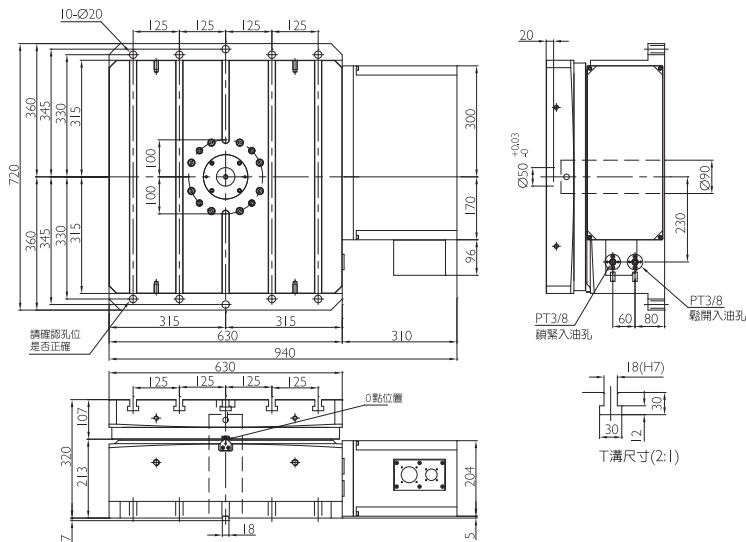
HG-600

Unit: mm



HG-630

Unit: mm



HG-800

Unit: mm

